

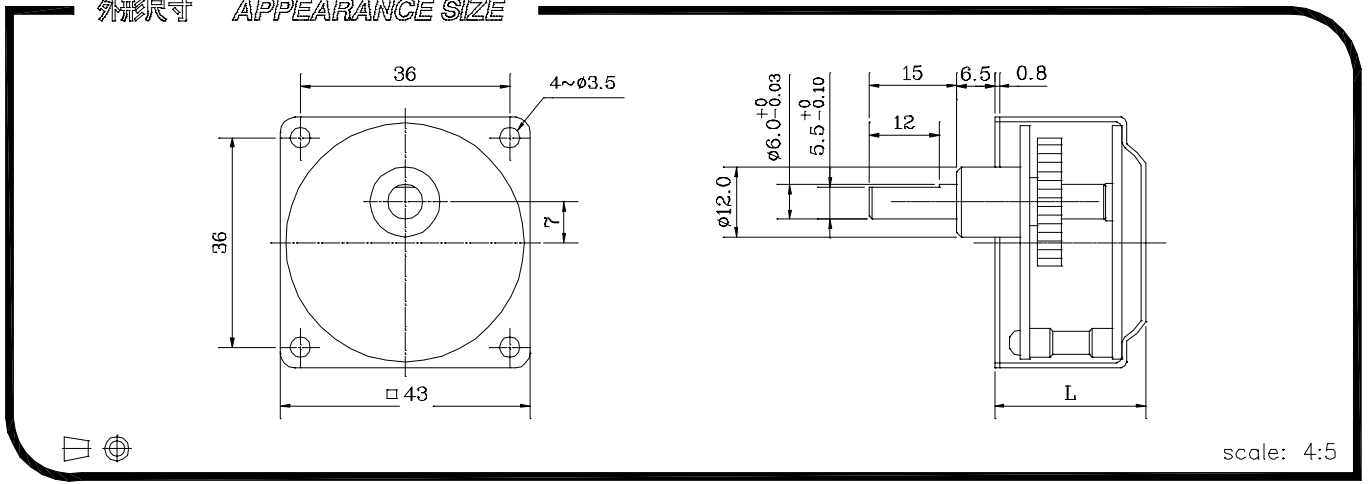
RB-40

- 含油軸承型式
Gearbox with sleeve bearings



★ 使用相對溼度: 20%~85%RH ★ 使用溫度範圍: -10°C~+60°C
Operating relative humidity Operating temperature range

外形尺寸 APPEARANCE SIZE



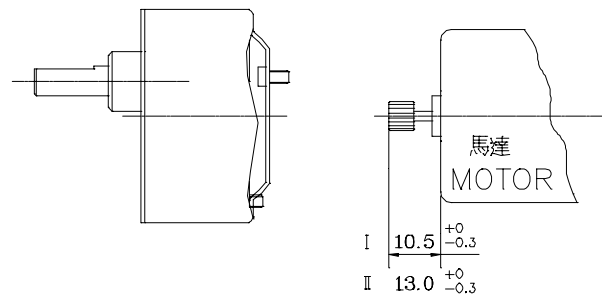
馬達齒輪型式

PINION SPECIFICATIONS

模數 Module	0.5	0.4
齒數 No. of teeth	10	12
壓力角 Pressure angle	20°	
螺旋角 Helix angle	--	18°(左, left)
孔徑 Hole diameter	φ1.98 , φ2.28 φ2.48 , φ3.16	φ3.16
減速比 Reduction ratio	全種通用 Practicable	

馬達裝卸方法

MOTOR INSTALLATION



標準減速比型式

GEARBOXES SPECIFICATIONS

減速比 Reduction ratio	定格容許扭力 Rated tolerance torque	最大瞬間容許扭力 Max momentary tolerance torque	效率 Efficiency	軸之徑向公差 Radial play of shaft	軸之軸向公差 Thrust play of shaft	L
1/10	1.0kgf-cm Max	3.0 kgf-cm	81%	≤ 0.05 mm	≤ 0.35mm	23.9
1/15, 1/18	3.0kgf-cm Max	9.0 kgf-cm	73%	↑	↑	26.4
1/25, 1/30, 1/36	4.0kgf-cm Max	12.0 kgf-cm	73%	↑	↑	26.4
1/50, 1/60, 1/75	5.0kgf-cm Max	15.0 kgf-cm	66%	↑	↑	28.9
1/90, 1/100, 1/120, 1/150	7.0kgf-cm Max	21.0 kgf-cm	66%	↑	↑	28.9
1/180, 1/200, 1/250, 1/300	7.0kgf-cm Max	21.0 kgf-cm	59%	↑	↑	31.4
1/360, 1/400, 1/500	7.0kgf-cm Max	21.0 kgf-cm	59%	↑	↑	31.4